



## HD362C PARTS LIST

Serial # \_\_\_\_\_

ID# \_\_\_\_\_

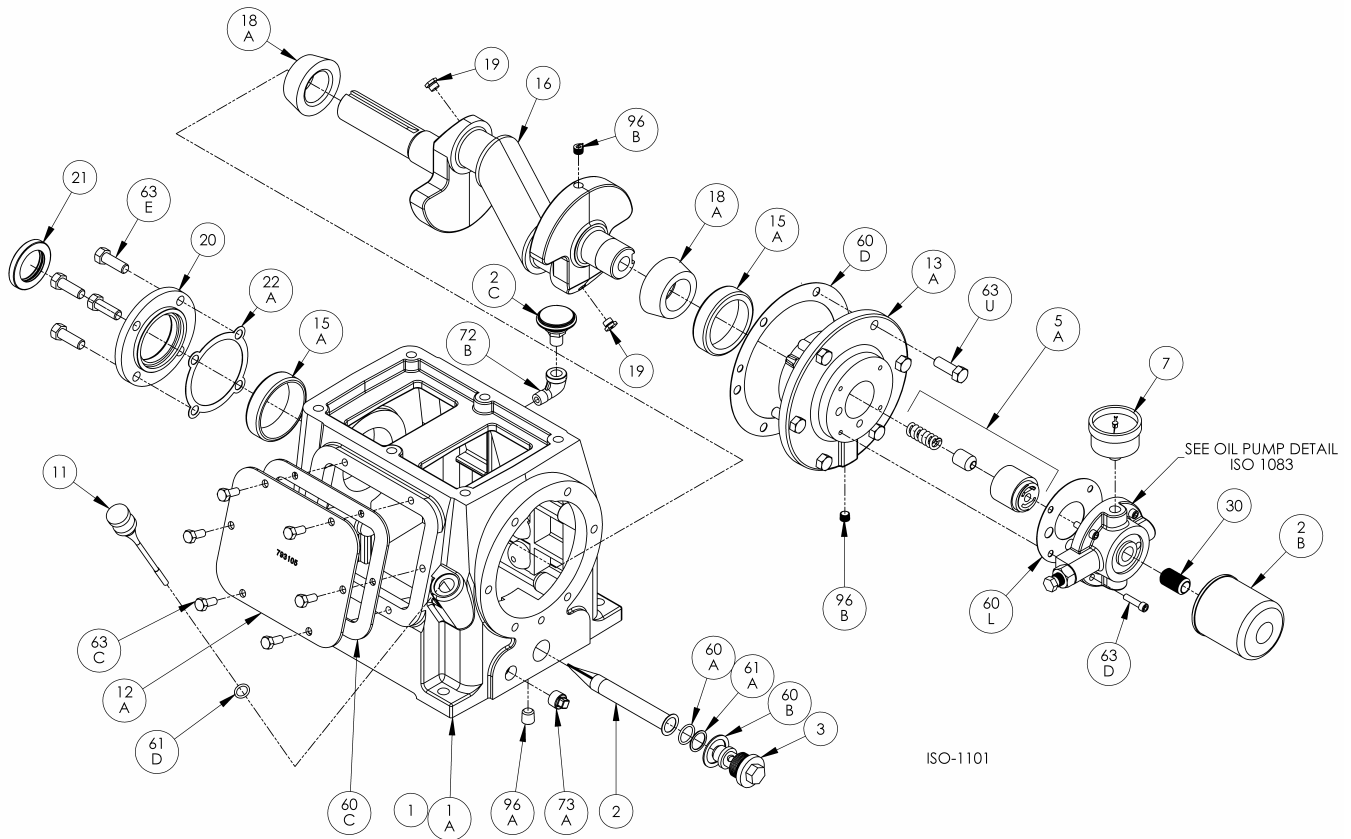
### Gasket Sets and Special Tools

Gasket Set	Buna-N & Iron	793597
	PTFE & Iron	793596
	FKM & Iron	793595
	Neoprene & Iron	793591
	Ethylene Propylene & Iron	793588
Packing Installation Tool		790536
Spanner Wrench, 1/4" Adjustable		790316
Wrench for Valve Holdown Screw		790535
Tool Kit		790199

### Bulletins Needed For Complete Parts List

This page	9E-072
Crankcase	9F-021
Oil Pump	9G-011
Flywheel	9H-020
Crosshead	9J-051
Cylinder	9L-040
Head	9M-050
Head with Unloaders	9M-060

Notes:



**Crankcase Assembly:**

Models HDL342B, HDL343B, HDL342C, HDL343C, HDL322C

HDL362B, HDL363B, HDL362C, HDL363C

HD361B, HD361C, HD362B, HD362C, HD363B, HD363C, HDS362C,

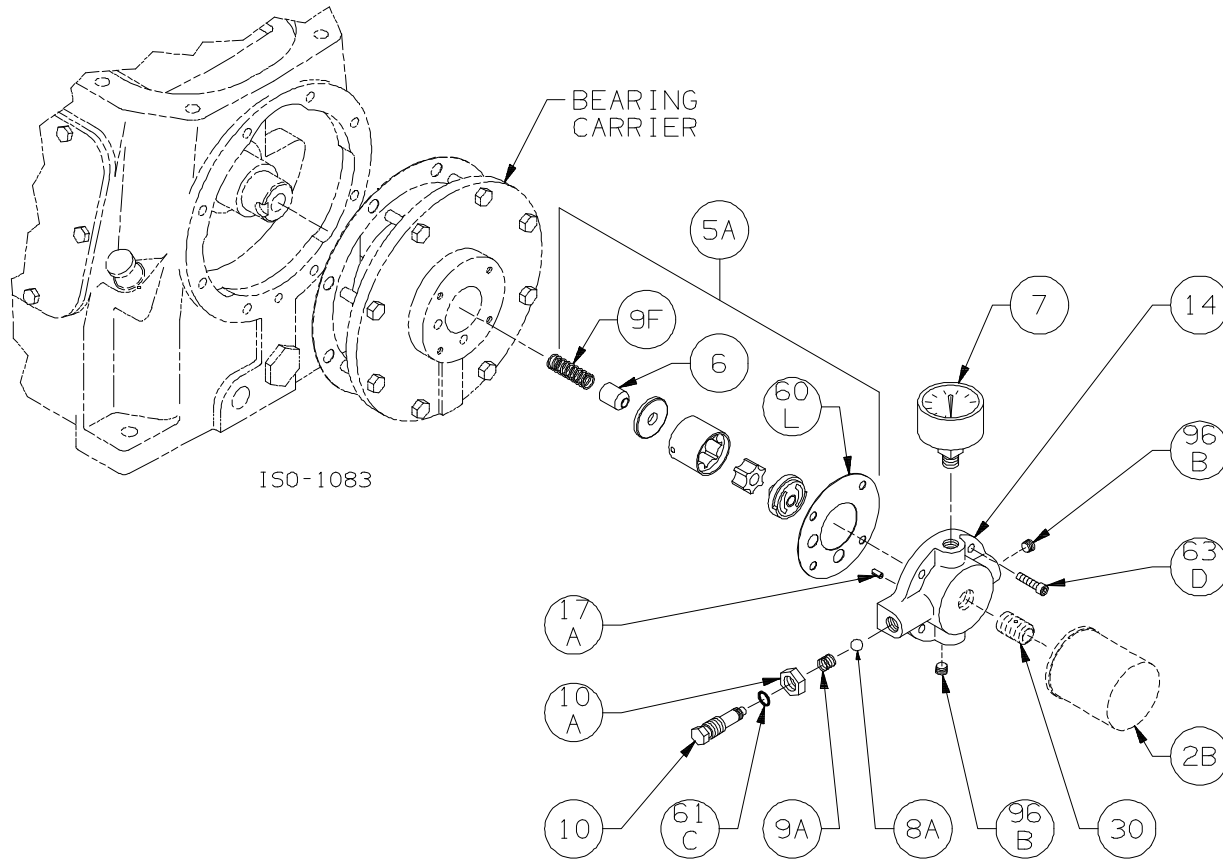
HD372B, HD372C, HD373B, HD373C, HDL372B, HDL372C, HDL373B, HDL373C, HDS372C

ISO1101

Ref	Description	Qty	Part No
1	Crankcase Assembly - Oil Filter	1	793100
	Crankcase Assembly - no Oil Filter		793103
	Crankcase Assy - Ext Shaft & Oil Filter		793171
	Crankcase Assy - Ext Shaft, no Oil Filter		793155
1A	Crankcase	1	793102
2	Oil Intake Screen	1	792135
2B	Oil Filter	1	794726
2C	Breather Filter	1	792070
3	Oil Screen Plug	1	792145
5A	Oil Pump Kit	1	794760
7	Oil Pressure Gauge	1	790012
11	Oil Bayonet Assembly	1	792162
12A	Inspection Plate	1	793105
13A	Bearing Carrier	1	793104
15A	Bearing Cup	2	793126
16	Crankshaft Assembly (w/ 18A,19,96B)	1	793157
	Crankshaft Assembly-Ext (w/ 18A,19,96B)		793191
18A	Bearing Cone	2	793142
19	Orifice	2	792146

Ref	Description	Qty	Part No
20	Bearing Cover Plate	1	793106
21	Oil Seal	1	793143
22A	Bearing Adjustment Shim Kit	1	793133
30	Oil Filter Fitting	1	794725
60A	Gasket - Oil Screen *	1	792136
60B	Gasket - Oil Screen Plug *	1	792123
60C	Gasket - Inspection Plate *	1	793122
60D	Gasket - Bearing Carrier Assembly*	1	793124
60L	Gasket - Oil Pump Cover *	1	794721
61A	O-Ring - Oil Screen *	1	792175
61D	O-Ring - Oil Bayonet *	1	792174
63C	Capscrew - Hex Hd	6	793116
63D	Capscrew - Soc Hd	4	790559
63E	Capscrew - Hex Hd	4	792093
63U	Capscrew - Hex Hd	6	792093
72B	Elbow	1	790453
73A	Pipe Plug	1	792166
96A	Pipe Plug	1	790488
96B	Pipe Plug	2	790309

\* Included in Gasket Sets



ISO-1083

**Oil Pump Detail for Models:**

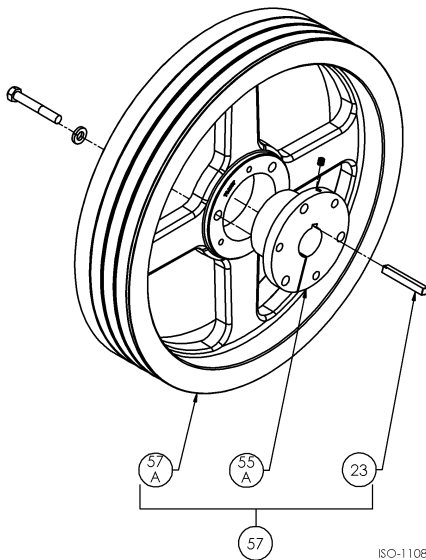
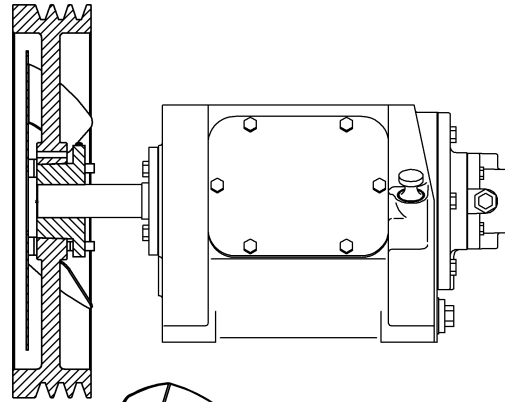
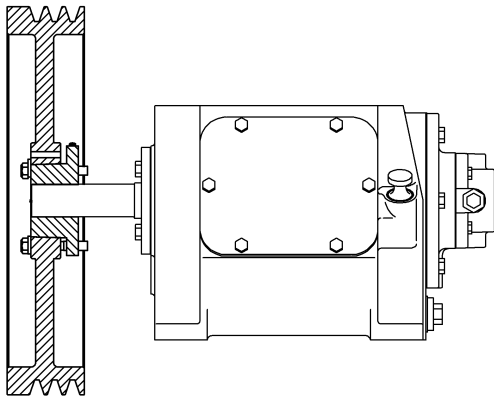
HD161C, HD161B, HD162C, HD162B, HD163C, HD163B,  
 HD172C, HD172B, HD173C, HD173B,  
 HDL342B, HDL343B, HDL342C, HDL343C,  
 HD361C, HD361B, HD362C, HD362B, HD363C, HD363B  
 HDL362B, HDL363B, HDL362C, HDL363C,  
 HD372C, HD372B, HDL372C, HDL372B, HD373C, HD373B, HDL373C, HDL373B,  
 HD601B, HD602B, HD603B, HDL601B, HDL602B, HDL603B, HDL641B, HDL642B, HDL643B,  
 HD612B, HDL612B, HD613B, HDL613B,  
 HD942A and HDL942A

ISO1083

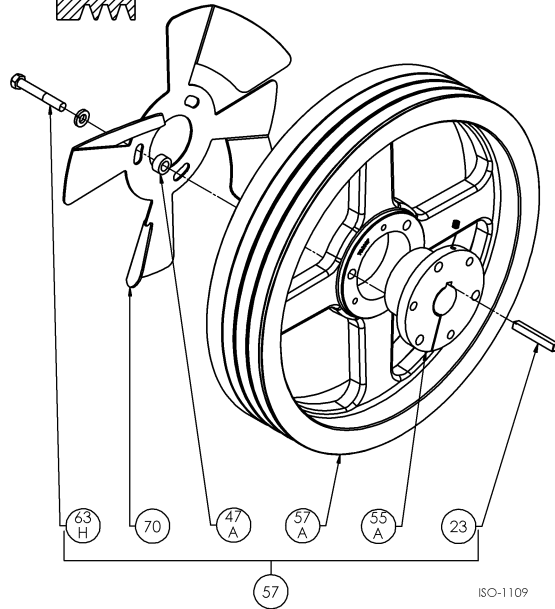
Ref	Description	Qty	Part No
2B	Oil Filter	1	794726
5A	Oil Pump Kit (w/ 6, 9F, 60L)		794760
6	Oil Pump Cone	1	794750
7	Oil Pressure Gauge	1	790012
8A	Oil Pressure Adj. Ball	1	792154
9A	Oil Pressure Adj. Spring	1	792153
9F	Oil Pump Spring	1	794751
10	Oil Pressure Adj. Screw	1	792148
10A	Locknut	1	792152

Ref	Description	Qty	Part No
14	Oil Pump Cover Assembly - For Filter	1	794764
	with 17A, 96B		
	Oil Pump Cover Assembly - w\ 17A, 96B		794763
17A	Roll Pin	1	794753
30	Oil Filter Fitting	1	794725
60L	Gasket - Oil Pump Cover *	1	794721
61C	O-Ring - Adjusting Screw *	1	792168
63D	Capscrew - Soc. Hd	4	790559
96B	Pipe Plug	2	790309

\* Included in Gasket Sets



ISO-1108



ISO-1109

**Standard Flywheel Assembly:**

- Models HDL342C, HDL343C
- HDL342B, HDL343B
- HD361C, HD362C, HD363C, HDS362C
- HD361B, HD362B, HD363B
- HDL362C, HDL363C
- HDL362B, HDL363B
- HDL372C, HDL373C
- HDL372B, HDL373B

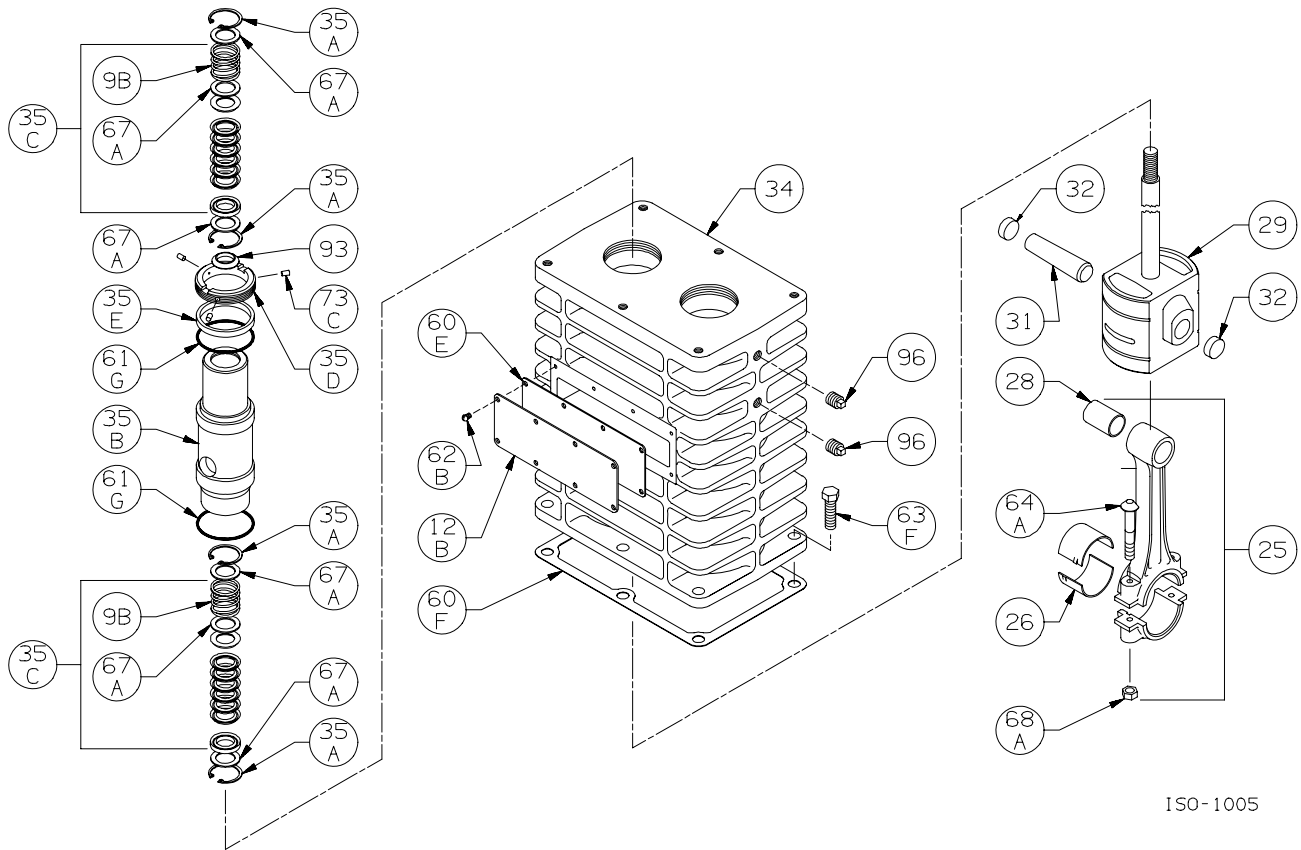
Ref	Description	Qty	Part No
23	Key	1	793167
55A	Hub	1	790143
57	Flywheel Assembly	1	793047
57A	Flywheel	1	792197

**Models HD372C, HDS372C**

- HD372B,
- HD373C,
- HD373B

Ref	Description	Qty	Part No
23	Key	1	793167
47A	Spacer	3	793617
55A	Hub	1	790143
57	Flywheel Assembly	1	793050
57A	Flywheel	1	792197
63H	Cap screw - Hex Head	3	792095
70	Fan	1	792196

\* Older compressors used a 6 spoke flywheel. If either the flywheel or fan need to be replaced, **both** must be replaced.



ISO-1005

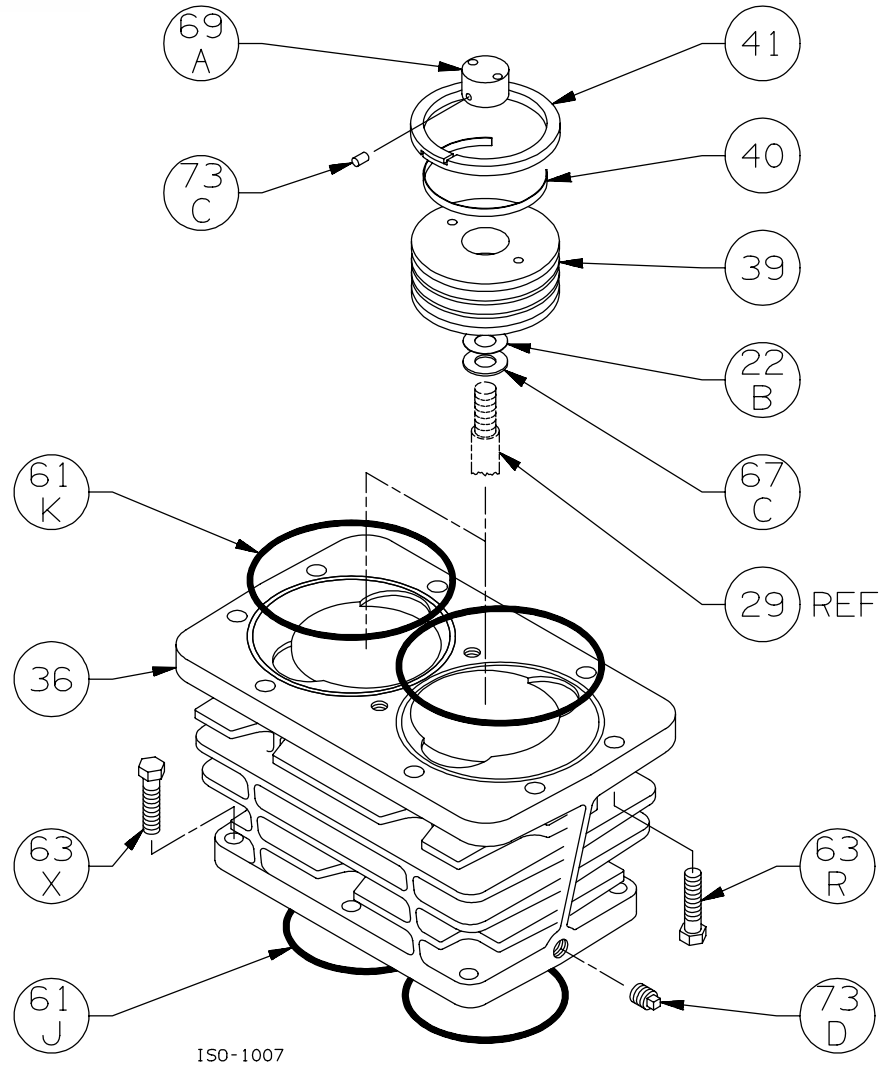
Crosshead Assembly: HDL342C, HD362C, HDL362C, HD372C, HDL372C

ISO1005

Ref	Description	Qty	Part No
9B	Packing Spring	4	792077
12B	Inspection Plate	1	793093
25	Connecting Rod Assembly	2	793309
26	Connecting Rod Bearing	2	793002
28	Wrist Pin Roller Bearing	2	793305
29	Crosshead Assembly	2	793302
31	Wrist Pin	2	793307
32	Wrist Pin Plug	4	793308
34	Crosshead Guide	1	793455
35A	Retainer Ring	8	793404
35B	Packing Box Packing Box TNT-12	2	793502 793505
35C	Packing Set	4	793510
35D	Hold-down Ring Hold-down Ring TNT-12	2	793220 792810
35E	Spacer Ring Spacer Ring TNT-12	2	793402 792821

Ref	Description	Qty	Part No
60E	Gasket - Inspection Plate *	1	793092
60F	Gasket - Crankcase *	1	793121
61G	O-Ring (Buna-N) Std *	4	792125
	O-Ring (FKM) *		793213
	O-Ring (PTFE) *		793211
	O-Ring (Neoprene) *		793215
	O-Ring (Ethylene Propylene) *		793207
62B	Machine Screw - Inspection Plate	8	793096
63F	Capscrew - Hex Hd	6	793094
64A	Connecting Rod Bolt	4	793006
67A	Washer - Packing Box	12	792087
68A	Connecting Rod Bolt Nut	4	793007
73C	Lock Plug *	6	792030
93	Oil Deflector Ring	2	793478
96	Pipe Plug	4	793498

\*Included in Gasket Sets



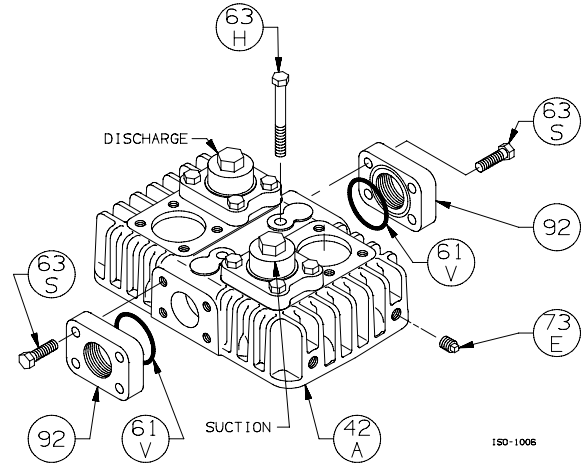
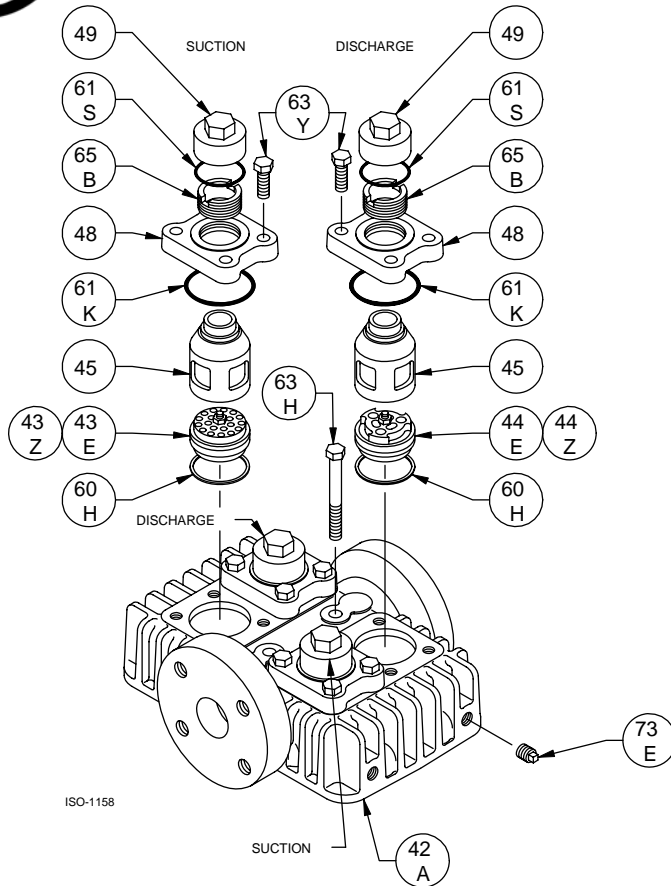
Cylinder Assembly: Models HD361A, HD361B, HD361C,  
HD362A, HD362B, HD362C,  
HD363A, HD363B, HD363C

ISO1007

Ref	Description	Qty	Part No
22B	Piston Shim - 0.015	AR	792034
	Piston Shim - 0.007	AR	792050
36	Cylinder	1	793045
	Cylinder TNT-12		792824
39	Piston	2	793421
	Piston TNT-12		792827
40	Expander	6	793415
41	Piston Ring - Std	6	793406
	Piston Ring - Poly Filled		793407
61J	O-Ring (Buna N) Std *	2	793177
	O-Ring (FKM) *		793212
	O-Ring (PTFE) *		793210
	O-Ring (Neoprene) *		793216
	O-Ring (Ethylene Propylene) *		793206

Ref	Description	Qty	Part No
61K	O-Ring (Buna N) Std *	2	793641
	O-Ring (FKM) *		793643
	O-Ring (PTFE) *		793642
	O-Ring (Neoprene) *		793644
	O-Ring (Ethylene Propylene) *		793645
63R	Capscrew - Hex Hd	8	794097
63X	Capscrew - Hex Hd	6	794096
67C	Thrust Washer	2	792033
69A	Piston Nut	2	793022
	Piston Nut TNT-12		792808
73C	Lock Plug *	4	793028
73D	Pipe Plug	1	793498

\* Included in Gasket Sets



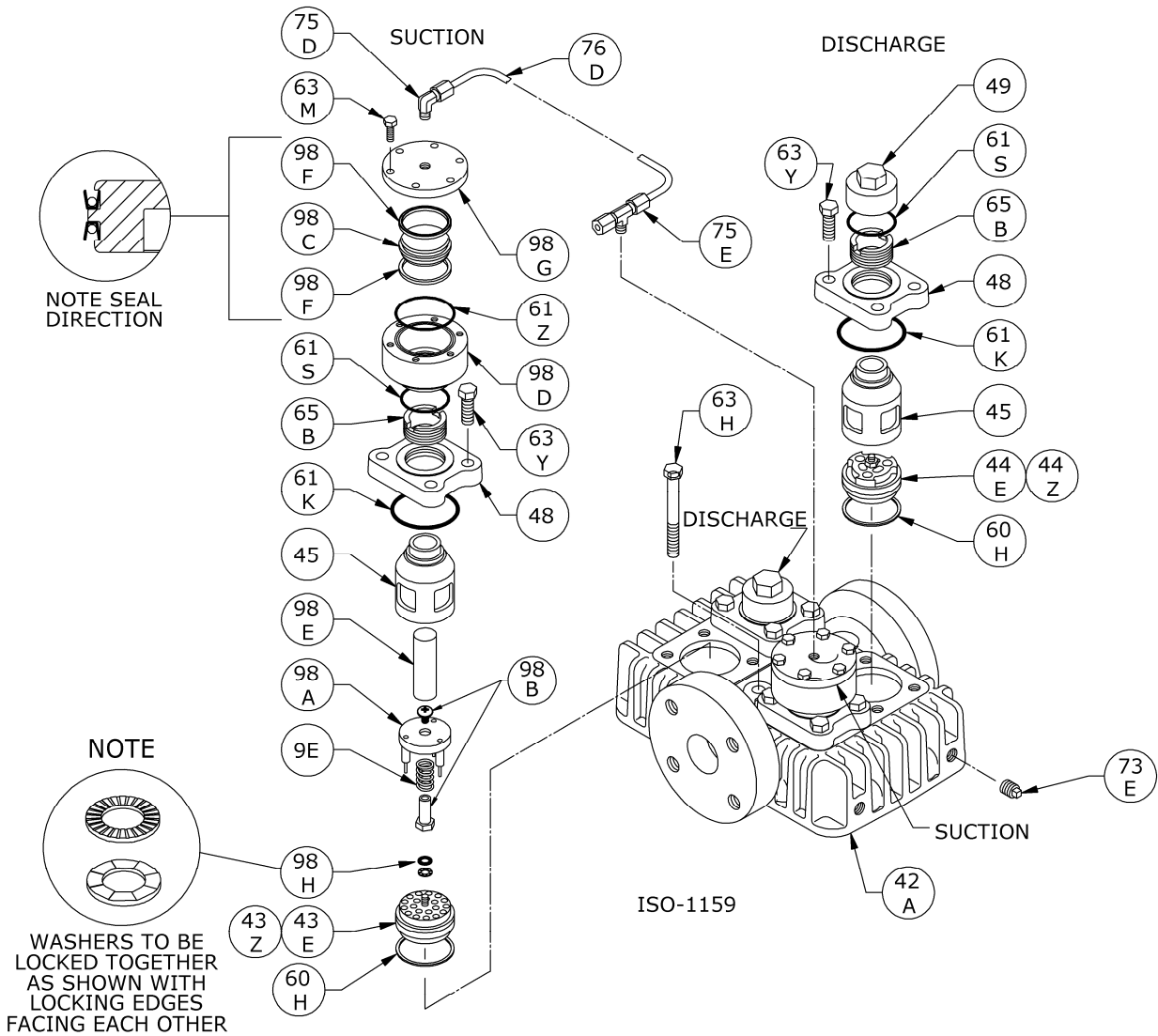
Head Style used on units built prior to July 2001. Replaced by the ANSI flanged head shown.

Head Assembly: Models HD361A, HD361B, HD361C, HD362A, HD362B, HD362C, HD363A, HD363B, HD363C ISO1158

Ref	Description	Qty	Part No
42A	Head (ANSI Flanges)	1	793042
	Head TNT-12 (ANSI Flanges)		792892
	Head (4-bolt flange style)		793044
	Head TNT-12 (4-bolt flange style)		792825
43E	Suction Valve Assembly	2	793459
	Suction Valve Assembly TNT-12		792870
	Suction Valve Assembly, Stainless Steel		793439
43Z	Valve Repair Kit - For 793459, 792870		793460
	Valve Repair Kit - For 793439		793440
44E	Discharge Valve Assembly	2	793479
	Discharge Valve Assembly TNT-12		792871
	Discharge Valve Assy, Stainless Steel		793449
44Z	Valve Repair Kit - For 793479, 792871		793460
	Valve Repair Kit - For 793449		793448
45	Cage	4	793420
	Cage TNT-12		792818
48	Valve Cover Plate	4	793284
	Valve Cover Plate TNT-12		792816
49	Valve Cap	4	792003
	Valve Cap TNT-12		792804
60H	Gasket - Valve *	4	793202
61K	O-Ring (Buna-N) Std *	4	793114
	O-Ring (FKM) *		793214
	O-Ring (PTFE) *		793208
	O-Ring (Neoprene) *		793110
	O-Ring (Ethylene Propylene) *		793205

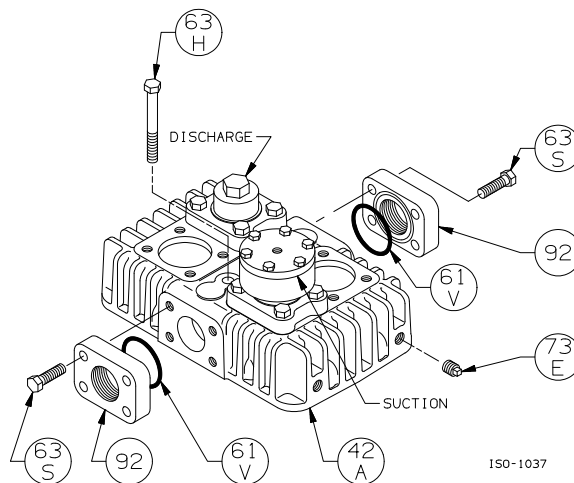
Ref	Description	Qty	Part No
61S	O-Ring (Buna-N) Std *	4	792306
	O-Ring (FKM) *		792308
	O-Ring (PTFE) *		792307
	O-Ring (Neoprene) *		792309
	O-Ring (Ethylene Propylene) *		792310
61V	O-Ring (Buna-N) Std *	2	792125
	O-Ring (FKM) *		793213
	O-Ring (PTFE) *		793211
	O-Ring (Neoprene) *		793215
	O-Ring (Ethylene Propylene) *		793207
63H	Capscrew - Hex Hd	2	793115
63S	Capscrew - Hex Hd	8	794096
63Y	Capscrew - Hex Hd	16	793094
65B	Valve Holddown Screw	4	792002
	Valve Holddown Screw TNT-12		792806
73E	Pipe Plug	2	793498
92	Flange (1.25 NPT) Std	2	793055
	Flange (1.25 NPT) TNT-12		792826
	Flange (1.25 Weld)		793056
	Flange (1.5 NPT)		793057
	Flange (1.5 NPT) TNT-12		792867
	Flange (1.5 Weld)	793058	

\* Included in Gasket Sets



Head Assembly with Unloaders  
 Models HD361A, HD361B, HD361C,  
 HD362A, HD362B, HD362C,  
 HD363A, HD363B, HD363C

Head Style used on units built prior to July 2001. Replaced by the ANSI flanged head shown.



Over.....



Head Assembly with Unloaders  
 Models HD361A, HD361B, HD361C,  
 HD362A, HD362B, HD362C,  
 HD363A, HD363B, HD363C

ISO1159

Ref	Description	Qty	Part No
9E	Unloader Spring	2	793293
42A	Head (ANSI Flanges)	1	793042
	Head TNT-12 (ANSI Flanges)		792892
	Head (4-bolt flange style)		793044
	Head TNT-12 (4-bolt flange style)		792825
43E	Suction Valve Assembly	2	793459
	Suction Valve Assembly TNT-12		792870
	Suction Valve Assy, Stainless Steel		793439
43Z	Valve Repair Kit - For 793459/793479		793460
	Valve Repair Kit - For 793439		793440
44E	Discharge Valve Assembly	2	793479
	Discharge Valve Assembly TNT-12		792871
	Discharge Valve Assy, Stainless Steel		793449
44Z	Valve Repair Kit - For 793459/793479		793460
	Valve Repair Kit - For 793449		793448
45	Cage	4	793420
	Cage TNT-12		792818
48	Valve Cover Plate	4	793284
	Valve Cover Plate TNT-12		792816
49	Valve Cap	2	792003
	Valve Cap TNT-12		792804
60H	Gasket - Valve *	4	793202
61K	O-Ring (Buna-N) Std *	4	793114
	O-Ring (FKM) *		793214
	O-Ring (PTFE) *		793208
	O-Ring (Neoprene) *		793110
	O-Ring (Ethylene Propylene) *		793205
61S	O-Ring (Buna-N) Std *	4	792306
	O-Ring (FKM) *		792308
	O-Ring (PTFE) *		792307
	O-Ring (Neoprene) *		792309
	O-Ring (Ethylene Propylene) *		792310

\* Included in Gasket Sets

Ref	Description	Qty	Part No
61V	O-Ring (Buna-N) Std *	2	792125
	O-Ring (FKM) *		793213
	O-Ring (PTFE) *		793211
	O-Ring (Neoprene) *		793215
	O-Ring (Ethylene Propylene) *		793207
61Z	O-Ring (Buna-N) Std *	2	792311
	O-Ring (FKM) *		792313
	O-Ring (PTFE) *		792312
	O-Ring (Neoprene) *		792314
	O-Ring (Ethylene Propylene) *		792320
63H	Capscrew - Hex Hd	2	793115
63M	Capscrew - Hex Hd	12	790053
63S	Capscrew - Hex Hd	8	794096
63Y	Capscrew - Hex Hd	16	793094
65B	Valve Holddown Screw	4	792002
	Valve Holddown Screw TNT-12		792806
73E	Pipe Plug	2	793498
75D	Tube Elbow	1	790355
75E	Tube Tee	1	790356
76D	Tube	1	790192
92	Flange (1.25 NPT) Std	2	793055
	Flange (1.25 NPT) TNT-12		792826
	Flange (1.25 Weld)		793056
	Flange (1.5 NPT)		793057
	Flange (1.5 NPT) TNT-12		792867
98A	Actuator Assembly	2	793296
	Actuator Assembly, for SS Valve		793298
98B	Unloader Post w/bolt <sup>1</sup>	2	793291
	Unloader Post w/bolt <sup>1</sup> , for SS Valve		794291
98C	Unloader Piston	2	793288
98D	Unloader Body	2	793286
98E	Unloader Plunger	2	793290
98F	Unloader Seal	4	792284
98G	Unloader Cap	2	793287
98H	Lockwasher (2 piece)	2	793473

<sup>1</sup> Unloader Post with bolt replaces earlier style unloader post with retainer ring.

## Suggested Spare Parts for HD362C and HDL362C Compressors:

Part #	Description	Qty./Unit	Comm. Qty.	Spare Qty.
793597	Gasket Set - Buna-N	1	1	1
793596	Gasket Set - PTFE *			
793595	Gasket Set - FKM *			
793591	Gasket Set - Neoprene *			
793588	Gasket Set - Ethylene Propylene *			
793460	Suction Valve Repair Kit - PEEK	2		2
793440	Suction Valve Repair Kit - Stainless Steel *			
793460	Discharge Valve Repair Kit - PEEK	2		2
793448	Discharge Valve Repair Kit - Stainless Steel *			
792284	Unloader Seal *	4		4
793406	Piston Ring - Standard	6	6	6
793407	Piston Ring - Poly Filled *			
793415	Piston Ring Expander	6	6	6
793510	Packing Set	4	4	4
794726	Oil Filter	1		6
793307	Wrist Pin	2		2
793305	Wrist Pin Bearing	2	2	2
793002	Conrod Bearing	2	2	2
The following parts would normally be required only for major compressor overhaul.				
793142	Bearing Cone	2		2
793126	Bearing Cup	2		2
793302	Crosshead Assembly	2		1
793309	Conrod Assembly	2		1
794760	Oil Pump Repair Kit	1		
793157	Crankshaft Assembly	1		
793191	Extended Crankshaft Assembly *			
793133	Bearing Adjustment Shim Kit	1		
793045	HD362C Cylinder	1		
792824	HD362C Cylinder, TNT-12 PTFE/Nickel Treated *			
793752	HDL362C Cylinder	1		
792889	HDL362C Cylinder, TNT-12 PTFE/Nickel Treated *			

\* Optional Equipment on New Compressors